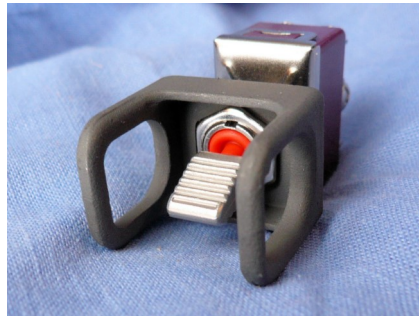


# NASA Toggle Switch Reproductions

Switch \$14.95 each. \$19.98 each with choice of guard. Four different switch functions

These switches were made for exacting purposes where the original NASA switch-guard appearance is required.

- Type A On-Off Standard On and Off. DPDT
- Type B On-Off-On Center Off; On in both directions.
- Type C (On)-Off-(On) Center Off; momentary On in both directions.
- Type D (On)-Off Standard momentary; On in one direction.



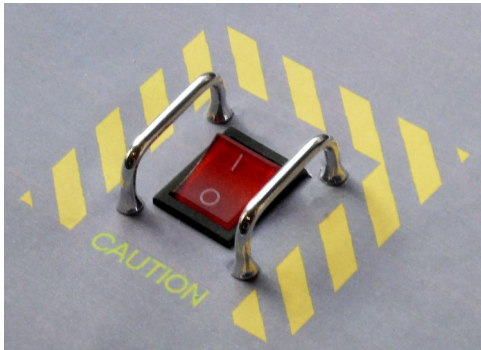
Space Shuttle Guard



Apollo CMD Guard

Email Perihelion Design for complete details

## PDM-029 Flanged Rocker Switch Guards 1.5" Center to Center M4 Studs



1-9 pairs each	.....\$10.00
10-49 pairs	9.50
50-99 pairs	8.25
100-499 pairs	8.00
500 pairs up	7.00

These are identical dimensions but have flanges where they attach to the panel. With supplied M4 Nuts. Made of 6061-T4 Aluminum alloy.

P/N PDM 029 We supply these in nickel plate or black anodize for \$1.80/pair extra (our cost). Any color anodize with 100 pair min.Q.

### Perihelion Design

**Eric M. Jones**

**113 Brentwood Drive**

**Southbridge MA 01550-2705**

**Email: emjones@charter.net**

**CAGE Code: 7CYT6 DUNS 137357138 16JAN2023**

*www.PerihelionDesign.com*



**Boldly Innovative Products for Modern Custom Aircraft**

# Switch Guards Catalog 2023





### Space Shuttle Switch Guards

We asked NASA for their Rockwell-designed Space Shuttle titanium switch guards but they wanted \$800 each (Your tax dollars at work!)...so we made our own hard-anodized aluminum masterpieces. 1.18" wide, 0.90" X 1.04.

(Thanks to Historic Space Systems)

We supply these in a CNC version to NASA and the military but no longer offer them to the public because of cost. The ones we sell are precision investment castings from A356-T6 aluminum (same as car alloy wheels and engines). Very rugged and identical to the originals except they're aluminum, so they're 60% lighter. They are finished with a hard anodized coating.

Investment cast hard anodized P/N PDM-005 Price: US\$ 8.99 each

- 1- \$8.99
- 10- \$8.55
- 50- \$7.44
- 100- \$6.63



The actual NASA Perihelion Switch Guards are CNC, Laser Engraved, and have a locating lug. They also are available in Tall, Regular and 1/2 high at a higher price. Contact Perihelion Design if interested.

Perihelion Switch Guards went to the Moon and back in the NASA/Boeing/Orion Spacecraft. Some are due for a trip to Mars!



## Apollo Spacecraft Toggle Switch Guards

- 1-9 pcs. \$9.00 ea.
- 10-24 pcs. \$8.50 ea.
- 25-49 pcs. \$8.00 ea.
- 50 pcs. \$7.50 ea.

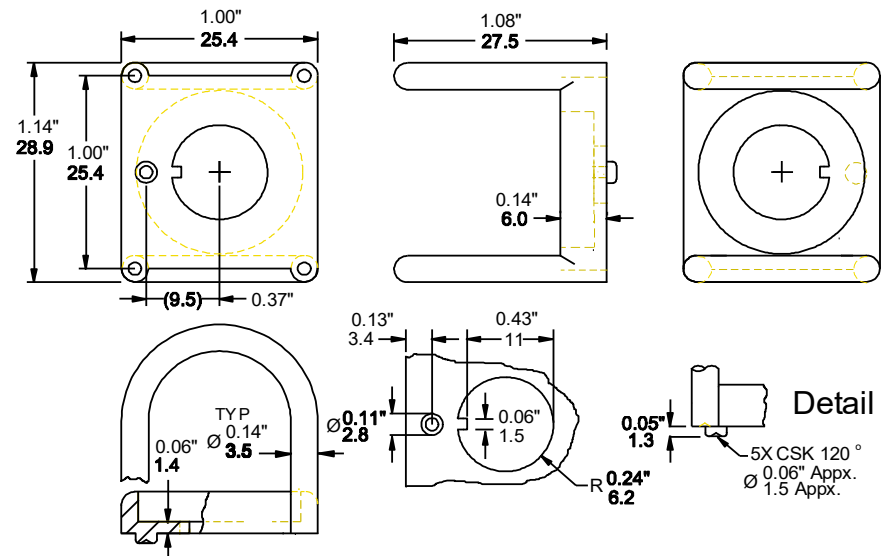
### PDM-034



The switch guards from the Apollo Spacecraft were never available to the public because they were all hand-built from TIG-welded 4130

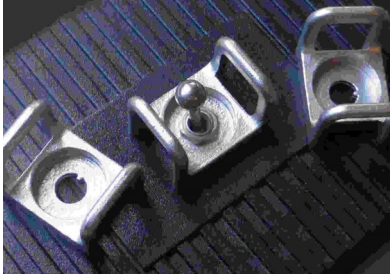
steel. There was a small pile left over at Rockwell and we grabbed a few. The ones we sell are high-quality investment castings of 304 Stainless Steel. Supplied bare for your own paint or powder coat finish as you desire. One neat trick with these is they are easy to make into runs on 1.000" centers because the end loops are easy to remove by drilling a 3.5 mm hole where indicated on the back. They have rear locating nubs that can be easily removed, too.

These switch guards are made to fit both the standard 15/32" keyed bushings and the standard 12 mm keyed-bushing switch guards.





# Small 1/4" Bushing Switch Guards

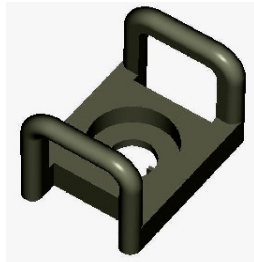
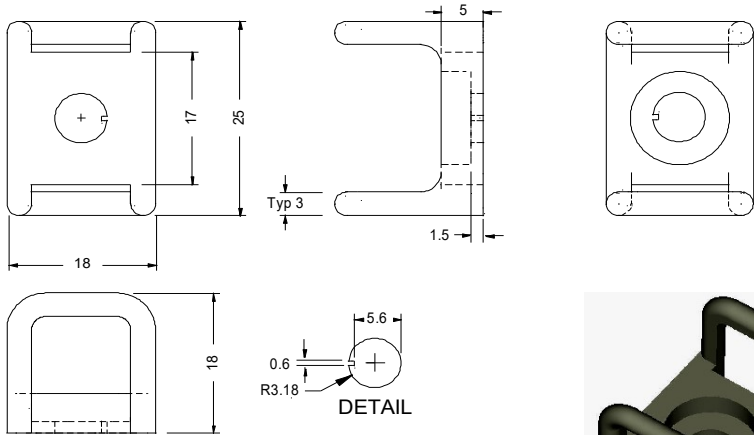


Switch Guards for those 1/4" (6 mm)-bushing switches that are becoming more common in lightweight designs. These elegant guards are crafted from rugged stainless steel to resist space helmet impacts and are furnished bare for your own paint. At a bargain price! (18 x 18 x 25 mm)

Price: US \$4.75 each

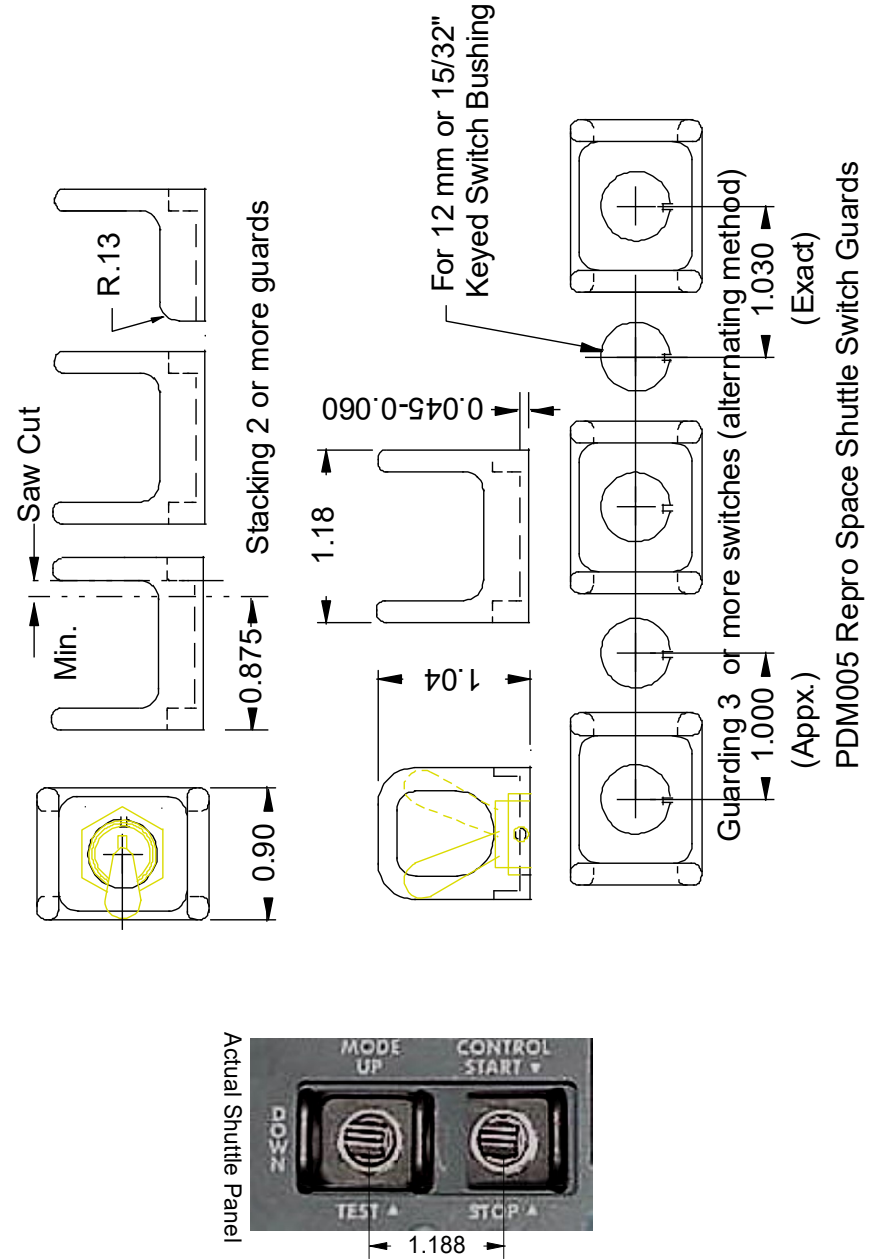
Discount Schedule for PDM-026 Mini-Toggle Switch Guards. Delivery is usually off the shelf. These are unfinished stainless steel.

- 1—\$4.75 each
- 10—\$3.95
- 50—\$3.50
- 100—\$3.25
- 1000—\$2.50



www.PerihelionDesign.com

METRIC Small Switch Guard PDM026



PDM005 Repro Space Shuttle Switch Guards



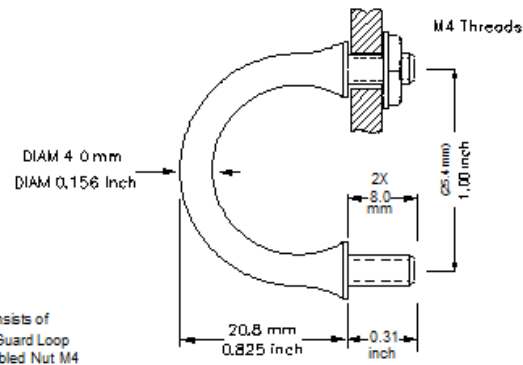
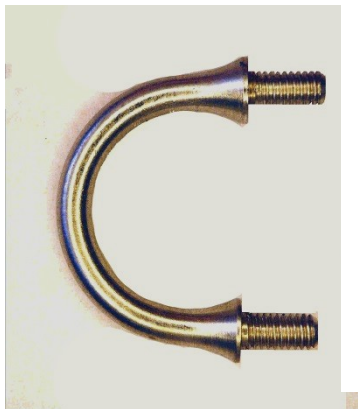
Now, how you could finish a really classy airplane without a bunch of these?...We have no clue! Guards from early X-program NASA birds, but common in many airplanes. Mount with supplied M4 nuts (on 1.00" centers.). Quantity discounts.

**NASA X-Plane Switch Guards P/N PDM-012**

Discount Schedule for PDM-012 NASA X-Plane Switch Guards (per pair with M4 nuts included)-

- 1- \$ 6.00
- 10- \$ 5.50
- 50- \$ 5.05
- 100- \$ 4.78

Please note: For very rugged uses we suggest using our stainless steel version PDM027. They are slightly thicker to meet automotive regulations



Assembly consists of  
1 pc. Switch Guard Loop  
2 pc. Assembled Nut M4

We supply these in Black Anodize (or any std. anodize color) or gorgeous Nickel Plate for \$1.80 per pair additional. Volume discounts..

**Rugged Stainless Switch Guards**



Perihelion Design developed these tough-as-nails switch guards for industrial and automotive use. They are roughly the same dimensions as our great X-plane guards but use 5 mm material in the loop, and uses 3 mm studs and Nylock nuts for greater mounting versatility. Superb quality. High-polished stainless.

Stainless Steel U-Type Toggle Guards

Price \$12.00 Pair

Supplied with Stainless Steel DIN6923 flanged locking nuts.

Discount Schedule for PDM-027 Rugged Stainless Steel U-type Switch Guards. Delivery is usually off the shelf. Price is per-pair

- 1- \$12.00
- 10- \$11.50
- 50- \$11.00
- 100- \$10.50
- 500- \$9.00

